

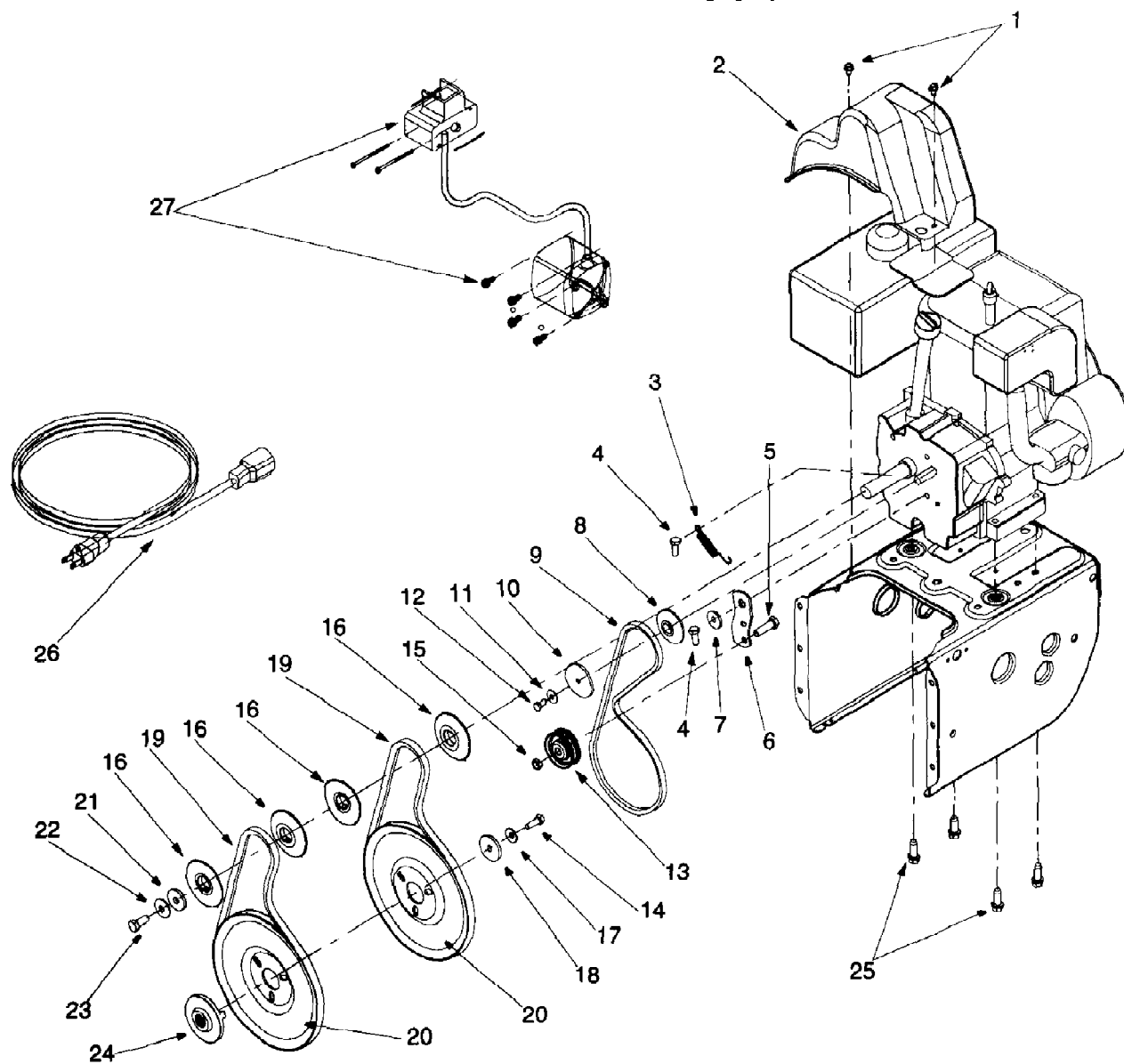
31AE6C0F382 Snow Thrower 826 (1999)
Blower Housing

Page 2 of 13

| Ref # | Part Number | Qty | S/P/F | Description |
|-------|-------------|-----|-------|------------------------------------|
| 1 | 712-0116 | 1 | S | Lock Jam Nut 3/8-24 |
| 2 | 756-0178 | 1 | | Flat Idler |
| 3 | 784-5632 | 1 | S | Auger Idler Arm |
| 4 | 710-0459A | 1 | /P | Hex Cap Screw 3/8-24 x 1.50 |
| 5 | 738-0281 | 1 | S | Shoulder Screw |
| 6 | 736-0174 | 1 | /P | Wave Washer |
| 7 | 732-0611 | 1 | S | Extension Spring |
| 8 | 712-3068 | 1 | S | Hex Nut 5/16-18 |
| 9 | 712-3010 | 1 | S | Hex Nut 5/16-18 |
| 10 | 736-0119 | 1 | S | Lock Washer 5/16 |
| 11 | 05931 | 1 | S | Housing |
| 12 | 741-0309 | 1 | S | Ball Bearing |
| 13 | 710-0451 | 1 | /P | Carriage Bolt 5/16-18 |
| 14 | 705-5226 | 1 | | Reinforcement Chute |
| 15 | 684-0039B | 1 | S | 24" Housing Assembly For model 524 |
| | 684-0040B | 1 | S | 26" Housing Assembly For model 826 |
| 16 | 712-3010 | 1 | S | Hex Nut 5/16-18 |
| 17 | 736-0119 | 1 | S | Lock Washer 5/16 |
| 18 | 736-0242 | 1 | /P | Bell Washer |
| 19 | 741-0475 | 1 | S | Bushing |
| 20 | 784-5647 | 1 | S | Chute Crank Bracket |
| 21 | 731-1379 | 1 | S | Chute Adapter |
| 22 | 712-0324 | 1 | /P | Hex Lock Nut 1/4-20 |
| 23 | 736-0463 | 1 | S | Flat Washer |
| 24 | 710-0451 | 1 | /P | Carriage Bolt |
| 25 | 710-0703 | 1 | /P | Carriage Screw 1/4-20 x .75 |
| 26 | 710-0604 | 1 | S | Hex Washer Screw 5/16-18 |
| 27 | 736-0169 | 1 | S | Lock Washer 3/8 |
| 28 | 712-0798 | 1 | /P | Hex Nut 3/8-16 |
| 29 | 710-0451 | 1 | /P | Carriage Bolt 5/16-18 x .75 |
| 30 | 784-5580 | 1 | | Snow Shoe |
| 31 | 736-0242 | 1 | /P | Bell Washer |
| 32 | 712-3010 | 1 | S | Hex Nut 5/16-18 |
| 33 | 784-5581A | 1 | S | 24" Shave Plate For model 524 |
| | 784-5579A | 1 | S | 26" Shave Plate For model 826 |
| 34 | 710-0260 | 1 | S | Carriage Bolt 5/16-18 x .62 |
| 35 | 684-0065 | 1 | S | Impeller Assembly |
| 36 | 715-0114 | 1 | S | Pin |
| 37 | 618-0120 | 1 | S | 24" Gear Assembly For model 524 |
| | 618-0121 | 1 | S | 26" Gear Assembly For model 826 |
| 38 | 605-5188 | 1 | S | Spiral 24" RH For model 524 |
| | 605-5192 | 1 | S | Spiral 26" RH For model 826 |
| 39 | 736-0188 | 1 | /P | Flat Washer |
| 40 | 741-0493A | 1 | /P | Flange Bushing |
| 41 | 605-5189 | 1 | S | Spiral 24" LH For model 524 |
| | 605-5193 | 1 | S | Spiral 26" LH For model 826 |
| 42 | 710-0890A | 1 | /P | Shear Bolt 5/16-18 x 1.5 |
| 43 | 712-0429 | 1 | S | Lock Nut 5/16-18 |
| 44 | 741-0245 | 1 | S | Hex Flange Bearing |
| 45 | 784-5618 | 1 | S | Bearing Housing |

IMPORTANT: For a proper working machine, use Factory Approved Parts.

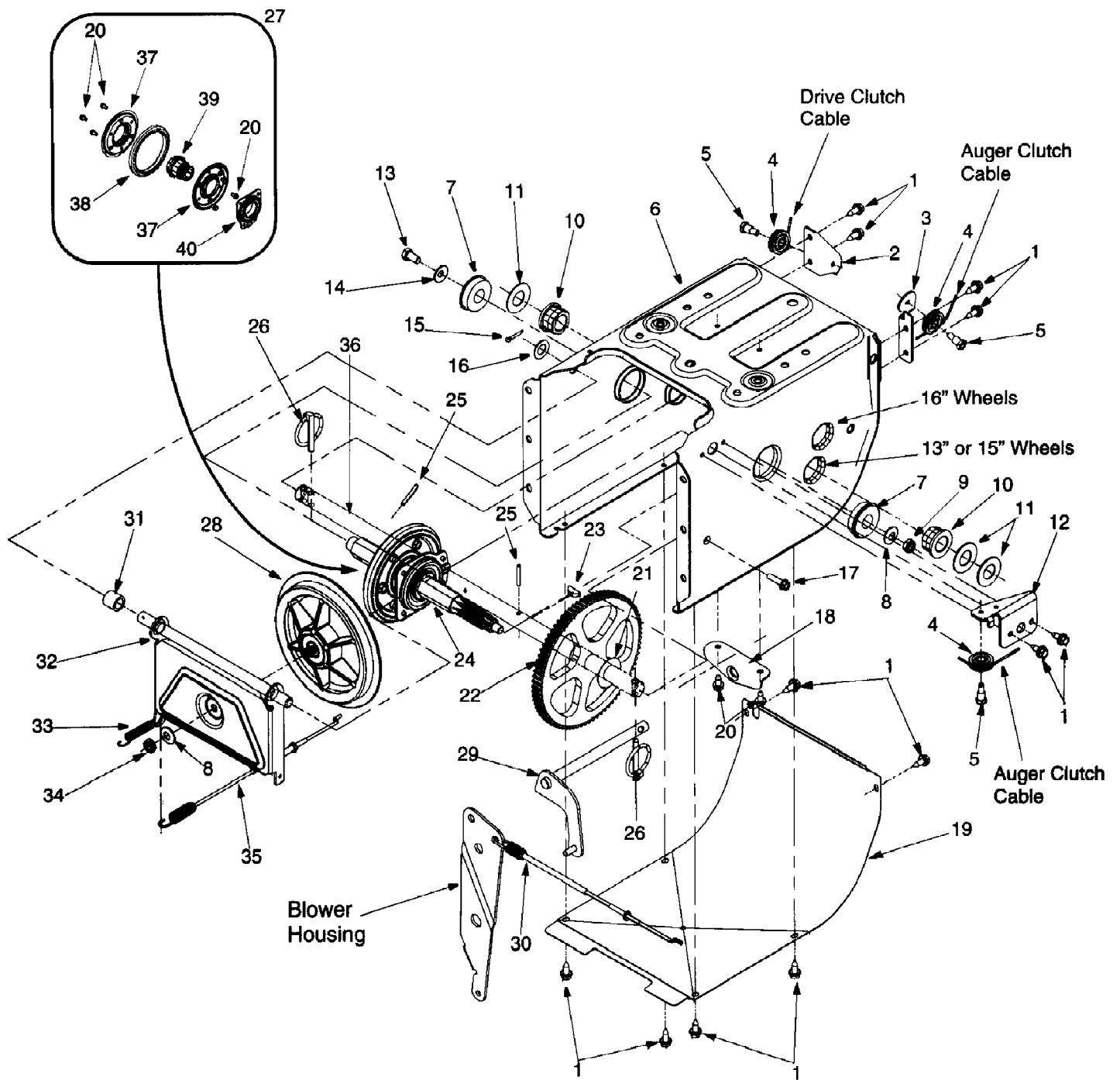
V-BELTS are specially designed to engage and disengage safely. A substitute (non OEM) V-Belt can be dangerous by not disengaging completely.



31AE6C0F382 Snow Thrower 826 (1999)
Engine And V-Belts

Page 4 of 13

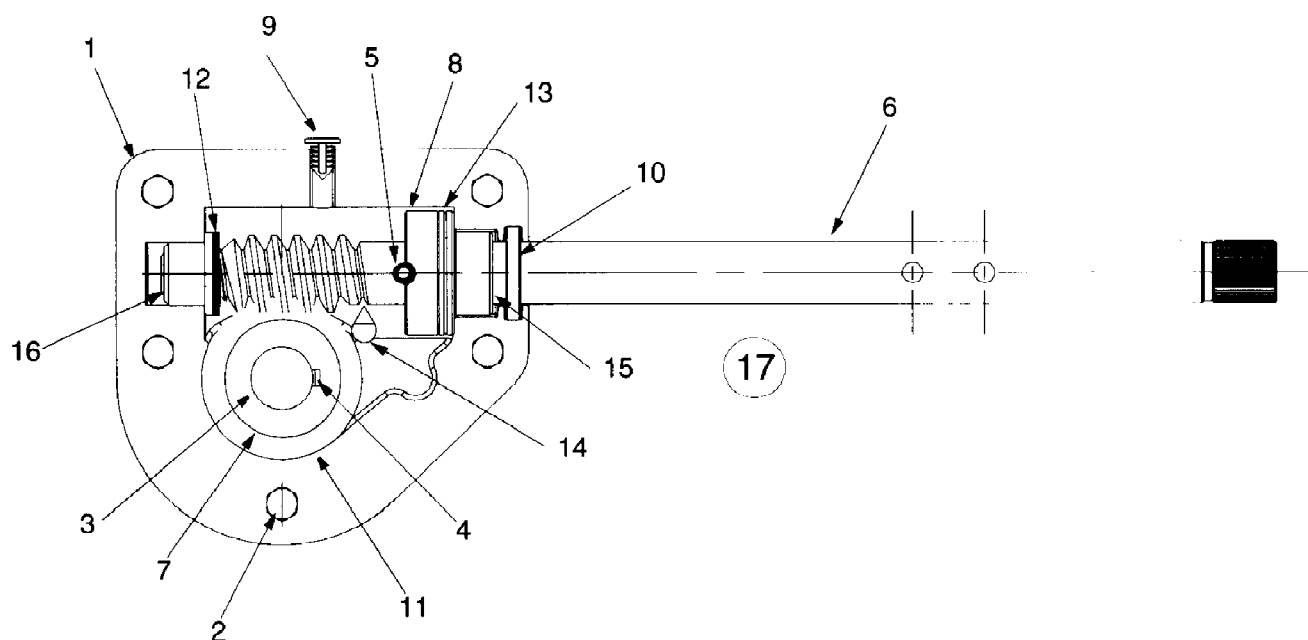
| Ref # | Part Number | Qty | S/P/F | Description |
|-------|-------------|-----|-------|-------------------------------|
| 1 | 710-0599 | 1 | /P | Hex Washer Screw 1/4-20 x .50 |
| 2 | 731-1324 | 1 | | Belt Cover |
| 3 | 732-0710 | 1 | S | Extension Spring |
| 4 | 710-0627 | 1 | /P | Hex Screw 5/16-24 x .75 |
| 5 | 710-3005 | 1 | /P | Hex Cap Screw 3/8-16 x 1.25 |
| 6 | 05896A | 1 | | Drive Clutch Idler Bracket |
| 7 | 748-0234 | 1 | /P | Shoulder Spacer |
| 8 | 756-0987 | 1 | S | Pulley Half |
| 9 | 754-0346 | 1 | S | V-Belt |
| 10 | 756-0986 | 1 | | Pulley Half |
| 11 | 736-0270 | 1 | /P | Bell Washer |
| 12 | 710-0230 | 1 | /P | Hex Cap Screw 1/4-28 x .50 |
| 13 | 756-0313 | 1 | /P | Flat Idler |
| 14 | 710-1245 | 1 | /P | Lock Hex Cap Screw 5/16-24 |
| 15 | 712-0181 | 1 | S | Lock Jam Nut 3/8-16 |
| 16 | 756-0569 | 1 | | Pulley half |
| 17 | 736-0242 | 1 | /P | Bell Washer |
| 18 | 736-0505 | 1 | | Flat Washer |
| 19 | 754-0430 | 1 | S | Belt |
| 20 | 756-0967 | 1 | | Auger Pulley |
| 21 | 736-0247 | 1 | /P | Flat Washer 3/8 x 1.25 OD |
| 22 | 736-0331 | 1 | /P | Bell Washer |
| 23 | 710-0696 | 1 | /P | Hex Cap Screw 3/8-24 |
| 24 | 748-0360 | 1 | S | Adapter Pulley |
| 25 | 710-0654A | 1 | /P | Hex Screw 3/8-16 x 1.0 |
| 26 | 629-0071 | 1 | S | Extension Cord |
| 27 | OEM-390-987 | 1 | S | Electric Start |



31AE6C0F382 Snow Thrower 826 (1999)
Frame Assembly

Page 6 of 13

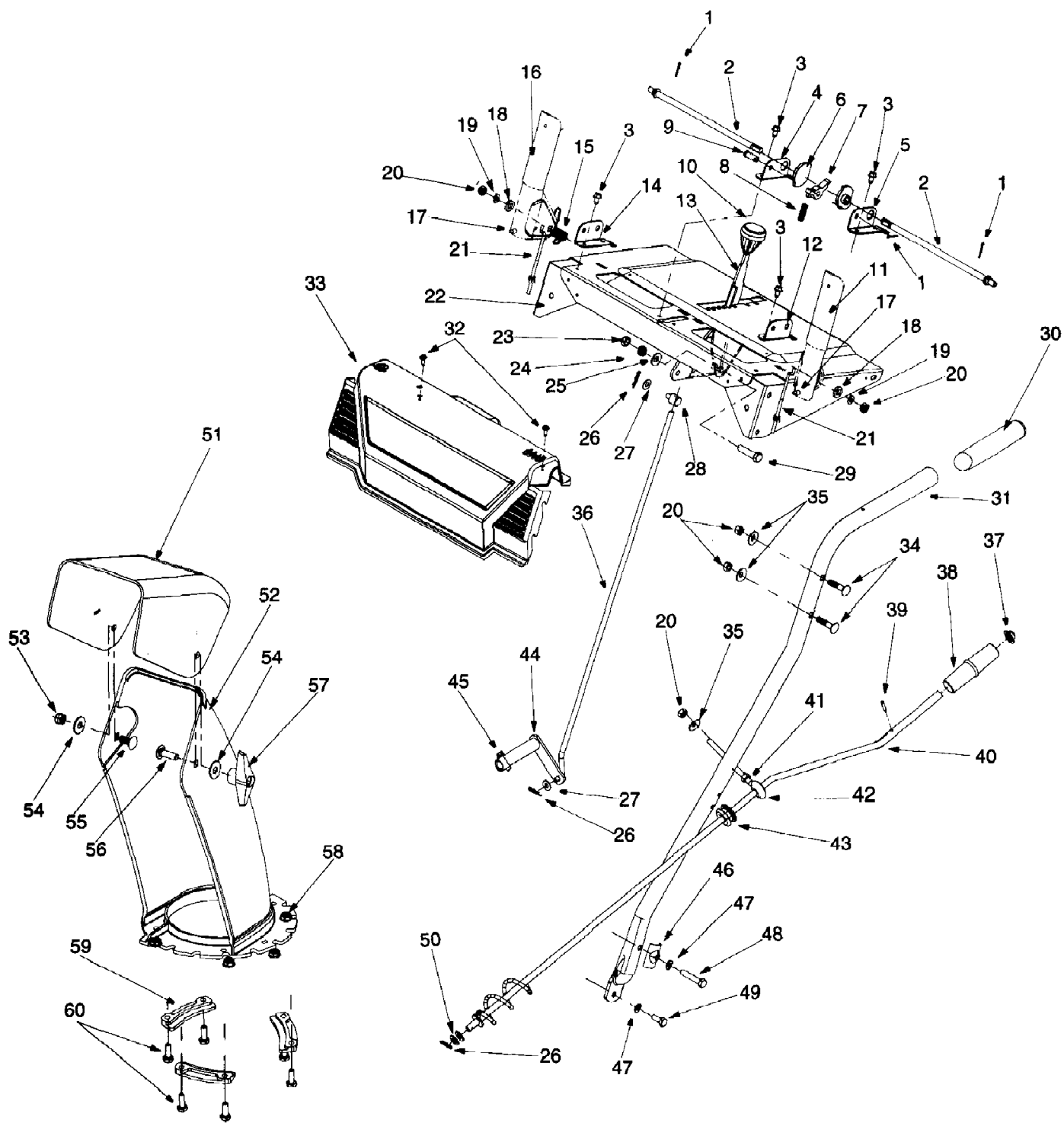
| Ref # | Part Number | Qty | S/P/F | Description |
|-------|-------------|-----|-------|---------------------------------|
| 1 | 710-1652 | 1 | /P | Hex Screw |
| 2 | 784-5688 | 1 | S | Drive Cable Guide Bracket |
| 3 | 784-5687 | 1 | S | Auger Clutch Cable Bracket |
| 4 | 756-0625 | 1 | | Roller Cable |
| 5 | 738-0924 | 1 | S | Hex Screw 1/4-28 |
| 6 | 684-0030 | 1 | | Frame Assembly |
| 7 | 741-0563 | 1 | S | Ball Bearing |
| 8 | 736-0105 | 1 | /P | Bell Washer |
| 9 | 712-0116 | 1 | S | Lock Jam Nut |
| 10 | 741-0598 | 1 | S | Hex Flange Bearing |
| 11 | 736-0188 | 1 | /P | Flat Washer |
| 12 | 784-5689A | 1 | S | Front Support Guide Bracket |
| 13 | 710-0538 | 1 | /P | Lock Hex Screw |
| 14 | 736-0242 | 1 | /P | Bell Washer .340 ID x .872 OD |
| 15 | 714-0474 | 1 | S | Cotter Pin |
| 16 | 736-0160 | 1 | S | Flat Washer .536 ID x .930 OD |
| 17 | 710-0788 | 1 | /P | Hex Washer Screw 1/4-20 |
| 18 | 784-5590 | 1 | | Frame Shift Bracket |
| 19 | 784-5638 | 1 | | Frame Cover |
| 20 | 710-0599 | 1 | /P | Hex Washer Screw 1/4-20 |
| 21 | 736-0351 | 1 | S | Flat Washer .760 ID x .50 OD |
| 22 | 717-1445 | 1 | | Gear |
| 23 | 714-0126 | 1 | S | Key |
| 24 | 717-1444 | 1 | S | 7-Tooth Shaft |
| 25 | 715-0249 | 1 | S | Roll Pin |
| 26 | 714-0143 | 1 | S | Klik Pin |
| 27 | 684-0042B | 1 | S | Friction Wheel Assembly |
| 28 | 656-0012A | 1 | S | Friction Disc Wheel |
| 29 | 684-0013B | 1 | S | Wheel Shift Rod Assembly |
| 30 | 746-0897 | 1 | S | Drive Cable |
| 31 | 748-0190 | 1 | /P | Spacer |
| 32 | 684-0021 | 1 | S | Friction Wheel Bracket Assembly |
| 33 | 732-0264 | 1 | S | Extension Spring |
| 34 | 712-0711 | 1 | /P | Jam Nut 3/8-24 |
| 35 | 746-0898 | 1 | S | Drive Cable |
| 36 | 738-0869 | 1 | | Axle 13" Wheels For model 524 |
| | 738-0830 | 1 | | Axle 16" Wheels For model 826 |
| 37 | 784-5617A | 1 | S | Friction Plate |
| 38 | 735-0243 | 1 | S | Friction Wheel Rubber |
| 39 | 718-0301A | 1 | S | Friction Wheel Hub |
| 40 | 618-0063 | 1 | | Friction Wheel Bearing |



31AE6C0F382 Snow Thrower 826 (1999)
Gear Assembly

Page 8 of 13

| Ref # | Part Number | Qty | S/P/F | Description |
|-------|-------------|-----|-------|-----------------------------------|
| 1 | 618-0123 | 1 | S | Housing - L.H. |
| | 618-0124 | 1 | S | Housing - R.H. |
| 2 | 710-0642 | 1 | /P | Hex Screw 1/4-20 x .75 |
| 3 | 711-0908 | 1 | S | Spiral Axle 24" For model 524 |
| | 711-0909 | 1 | S | Spiral Axle 26" For model 826 |
| 4 | 714-0161 | 1 | S | Key |
| 5 | 715-0143 | 1 | S | Pin-Spiral |
| 6 | 717-0526 | 1 | | Shaft-Worm |
| 7 | 717-0528 | 1 | S | Gear-Worm |
| 8 | 718-0186 | 1 | | Collar-Thrust |
| 9 | 721-0325 | 1 | | Plug |
| 10 | 721-0327 | 1 | | Seal-Oil |
| 11 | 736-0351 | 1 | S | Washer-Flat |
| 12 | 736-0369 | 1 | S | Washer-Flat |
| 13 | 736-0445 | 1 | S | Washer-Flat |
| 14 | 737-0168 | 1 | S | Grease |
| 15 | 741-0662 | 1 | | Bearing-Flange |
| 16 | 741-0663 | 1 | | Bearing-Flange |
| 17 | 618-0120 | 1 | S | Ass'y. Complete 24" For model 524 |
| | 618-0121 | 1 | S | Ass'y. Complete 26" For model 826 |



31AE6C0F382 Snow Thrower 826 (1999)
Handle Assembly

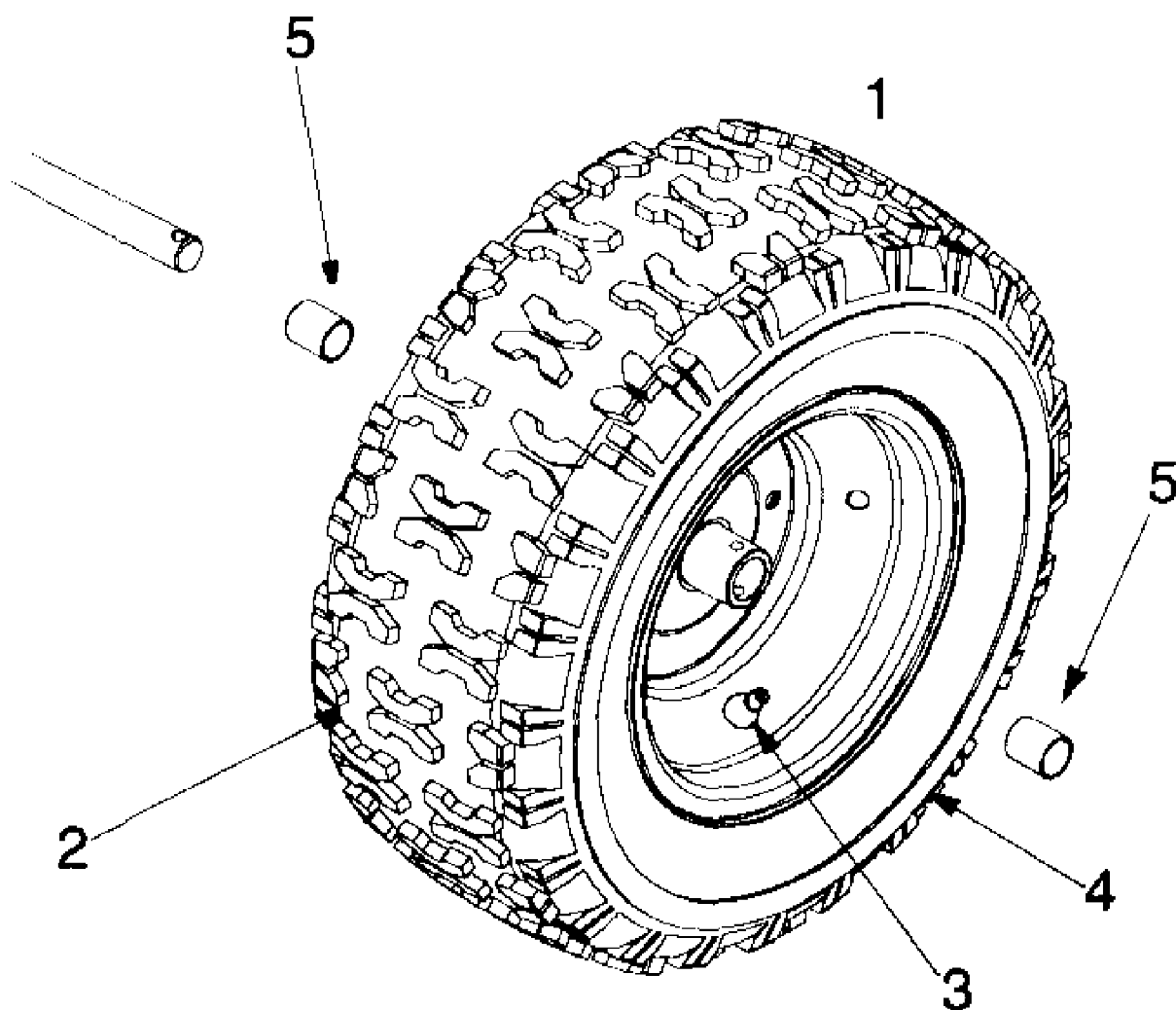
Page 10 of 13

| Ref # | Part Number | Qty | S/P/F | Description |
|-------|-------------|-----|-------|-------------------------------|
| 1 | 714-0507 | 1 | S | Cotter Pin |
| 2 | 747-0877 | 1 | | Rod |
| 3 | 710-0599 | 1 | /P | Hex Washer Screw 1/4-20 x .5 |
| 4 | 784-5680 | 1 | S | Handle Support Bracket - RH |
| 5 | 784-5679 | 1 | S | Handle Support Bracket - LH |
| 6 | 748-0362 | 1 | | Cam Lock Handle |
| 7 | 748-0363 | 1 | S | Handle Lock Pawl |
| 8 | 732-0145 | 1 | /P | Compression Spring |
| 9 | 711-0653 | 1 | /P | Clevis Pin |
| 10 | 720-0232 | 1 | S | Knob |
| 11 | 684-0037 | 1 | S | Handle Assy - LH |
| 12 | 784-5681 | 1 | /P | Handle Support Bracket - LH |
| 13 | 784-5619A | 1 | S | Shift Handle |
| 14 | 784-5682 | 1 | S | Handle Support Bracket - RH |
| 15 | 732-0746 | 1 | | Torsion Spring |
| 16 | 684-0036 | 1 | S | Handle Assy - RH |
| 17 | 735-0199A | 1 | S | Rubber Bumper |
| 18 | 736-0509 | 1 | | Washer |
| 19 | 736-0119 | 1 | S | Lock Washer 5/16 |
| 20 | 712-3010 | 1 | S | Hex Nut 5/16-18 |
| 21 | 746-0778 | 1 | S | Cable |
| 22 | 684-0103 | 1 | | Panel |
| 23 | 712-0116 | 1 | S | Jam Lock Nut 3/8-24 |
| 24 | 732-0193 | 1 | /P | Compression Spring |
| 25 | 736-0105 | 1 | /P | Bell Washer |
| 26 | 714-0104 | 1 | S | Cotter Pin |
| 27 | 736-0275 | 1 | S | Flat Washer 5/16 |
| 28 | 711-0677 | 1 | S | Ferrule |
| 29 | 710-0459A | 1 | /P | Hex Cap Screw 3/8-24 x 1.50 |
| 30 | 720-0274 | 1 | /P | Grip |
| 31 | 749-0910B | 1 | S | Handle - RH |
| | 749-0911B | 1 | S | Handle - LH |
| 32 | 710-1003 | 1 | /P | Hex Washer Screw |
| 33 | 731-1391 | 1 | /P | Handle Panel |
| | 731-1393 | 1 | S | Handle Panel w/Top Light |
| 34 | 710-0262 | 1 | /P | Carriage Bolt 5/16-18 x 1.50 |
| 35 | 736-0242 | 1 | /P | Bell Washer .340 ID x .872 OD |
| 36 | 747-0798A | 1 | /P | Shift Rod |
| 37 | 726-0100 | 1 | S | Push Cap |
| 38 | 720-0201A | 1 | /P | Chute Knob |
| 39 | 715-0138 | 1 | S | Roll Pin |
| 40 | 684-0022 | 1 | S | Chute Crank |
| 41 | 712-3010 | 1 | S | Hex Nut 5/16 - 18 |
| 42 | 747-0697 | 1 | /P | Chute Crank Eyebolt |
| 43 | 735-0234 | 1 | | Rubber Grommet |
| 44 | 684-0008A | 1 | S | Shift Arm Assembly |
| 45 | 710-0788 | 1 | /P | Hex Washer Screw 1/4-20 x 1.0 |
| 46 | 784-5599 | 1 | S | Handle Tab |
| 47 | 736-0119 | 1 | S | Lock Washer 5/16 |
| 48 | 710-3180 | 1 | /P | Hex Cap Screw 5/16-18 x 1.75 |
| 49 | 710-3008 | 1 | /P | Hex Cap Screw 5/16-18 x .75 |
| 50 | 736-0185 | 1 | S | Flat Washer |
| 51 | 731-0921 | 1 | S | Upper Chute |

31AE6C0F382 Snow Thrower 826 (1999)
Handle Assembly

Page 11 of 13

| Ref # | Part Number | Qty | S/P/F | Description |
|-------|-------------|-----|-------|------------------------------|
| 52 | 731-1300A | 1 | S | Lower Chute |
| 53 | 712-0429 | 1 | S | Hex Lock Nut 5/16-18 |
| 54 | 736-0159 | 1 | S | 5/16 Washer |
| 55 | 710-0451 | 1 | /P | Carriage Bolt 5/16-18 x .75 |
| 56 | 710-0276 | 1 | /P | Carriage Screw 5/16-18 x 1.0 |
| 57 | 720-0284 | 1 | S | Knob |
| 58 | 712-3027 | 1 | S | Hex Lock Nut 1/4-20 |
| 59 | 731-0851A | 1 | /P | Flange Keeper |
| 60 | 710-3015 | 1 | /P | Hex Cap Screw 1/4-20 x .75 |



31AE6C0F382 Snow Thrower 826 (1999)
Wheel Assemblies

Page 13 of 13

| Ref # | Part Number | Qty | S/P/F | Description |
|-------|-------------|-----|-------|---|
| 1 | 734-1714 | 1 | | Wheel Ass'y Complete 13 x 5 For model 31AE600E000 |
| | 734-1709 | 1 | | Wheel Ass'y Complete 16.5 x 4.8 For model 31AE6C0F000 |
| 2 | 734-1527 | 1 | | Tire Only 13 x 5 For model 31AE600E000 |
| | 734-1530 | 1 | | Tire Only 16.5 x 4.8 For model 31AE6C0F000 |
| 3 | 734-0255 | 1 | S | Air Valve 13 x 5 For model 31AE600E000 |
| | 734-0255 | 1 | S | Air Valve 16.5 x 4.8 For model 31AE6C0F000 |
| 4 | 734-1713 | 1 | | Rim Only 13 x 5 For model 31AE600E000 |
| | 734-1708 | 1 | S | Rim Only 16.5 x 4.8 For model 31AE6C0F000 |
| 5 | 741-0401 | 1 | S | Sleeve Bearing (2) 13 x 5 For model 31AE600E000 and model 524 |
| | 741-0401 | 1 | S | Sleeve Bearing (2) 16.5 x 4.8 For model 31AE6C0F000 and model 826 |